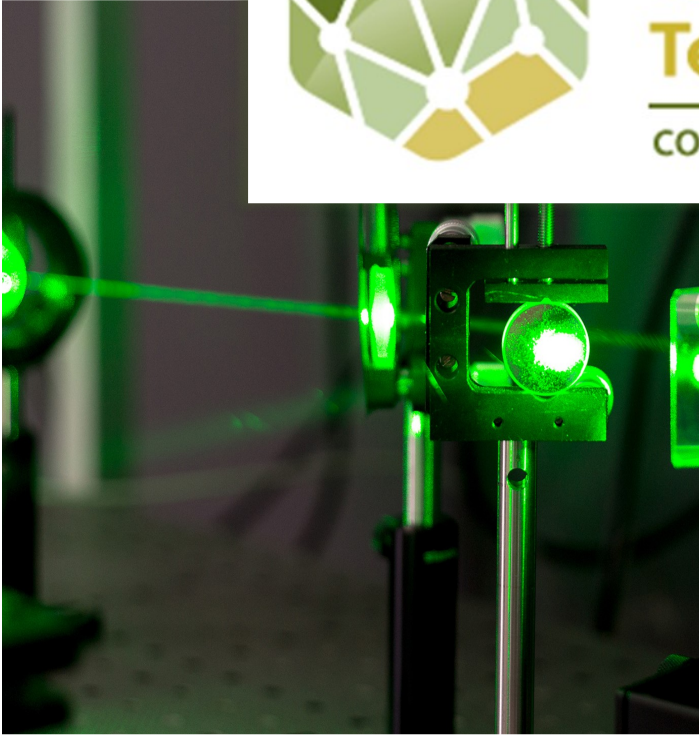


Photonics & Optics



SGA
Technologies
connecting the future





Photonics and Optics

SGA Technologies has been supplying high quality, high reliability hermetic components and packages since 1969. Customers globally are using SGA devices in applications where performance, quality and reliability are critical. Our advanced housing material and connector packages ensure superfast speeds with negligible distortion, allowing precise optical assembly.

Why use SGA Glass to Metal Seals?

- Hermetically Sealed, vacuum tight
- Long-life, reducing replacement time and cost
- Extreme temperature capability <250°C
- High Pressure resistance able to withstand high pressure applications
- Chemically robust to withstand corrosive environments
- Corrosion resistant
- Material options allow for new design ease

Electrical & Functionality Characteristics

- Hermeticity tested to 1x10⁻⁸atm cc/sec (mbar litre/ sec) as standard
- Suitable for 250 °C subsequent processes
- Suitable for operation with respect to Mil-Std and Telcordia standards
- Suitable for temperature cycling, thermal shock, corrosion resistance
- CTE matched construction for extended lifetime capability (25+ years)

Mechanical Characteristics

- Bespoke interconnects on request
- Brazed or integral fibre snouts or tubes
- DC connections to 1.27mm pitch
- Larger pins available for high power
- Bonding flats on pins optional
- Multi-metallic alloys as required
- Pins can be cropped, formed and radiused as required
- Different RF Connections available such as SSMP, SMP, SMA, SMB, GPPO, K&V type Glass beads; W-Connectors

Applications:

- Quantum computing
- Electrooptic modulators
- Fibre optic telecoms
- IR sensors
- Information processing
- Lasers



Specialists in Hermetics and Plating

Call +44 (0)1799 527264 today

or visit us at www.sgatech.co.uk



Q05599



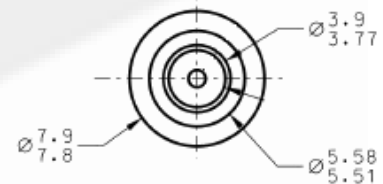
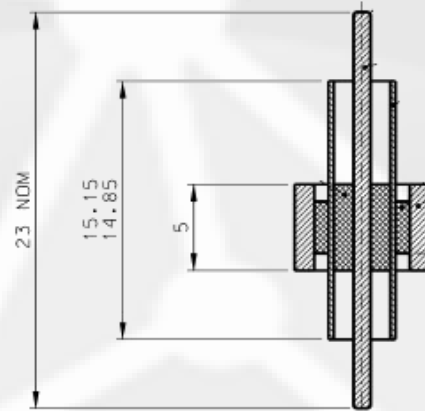
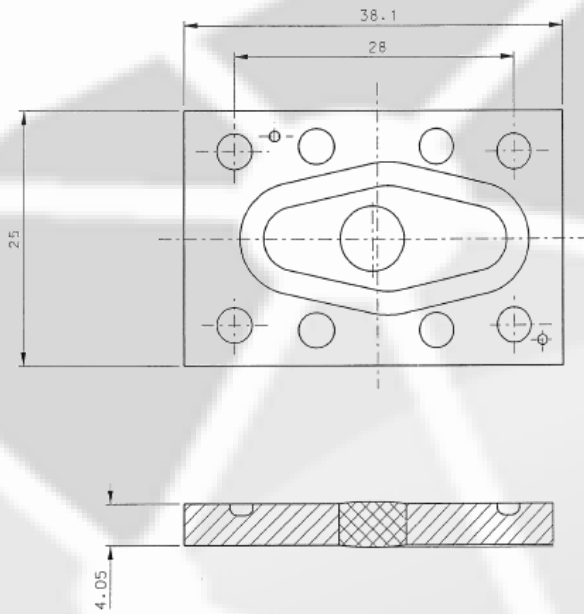
EMS552700



Photonics and Optics

Mechanical Drawings

Below are some examples of the seals SGA Manufactures for the photonics and optical markets. For full datasheet, please contact SGA.



What can I change?

- Pin: Chose from straight, solder cup or mating connectors
- Pin diameter
- Pin length
- Pin configuration
- Ferrule metallisation

Specialists in Hermetics and Plating

Call +44 (0)1799 527264 today

or visit us at www.sgatech.co.uk



Q05599



EMS52710



SGA
Technologies
connecting the future

DATASHEET

RF, Microwave & Photonics

Who are we?

SGA Technologies limited

Since 1969, SGA Technologies has been supplying high quality, high reliability hermetic components and packages. Customers globally are using SGA devices in applications where performance, quality and reliability are critical.

Equipment as diverse as satellite communications, military and commercial aircraft, oil drilling platforms, medical systems and scientific equipment are all using SGA products.

In-house Design, Assembly and Test

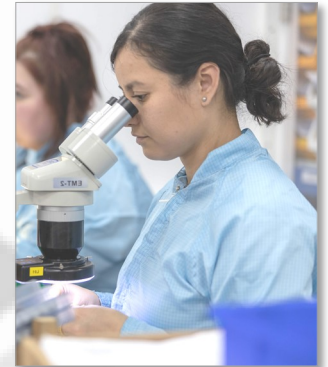
All aspects of design, manufacture and testing take place at SGA, thereby ensuring complete control over quality and reliability. Our engineers oversee all aspects of the process for you. During development and into production, you can be sure of our pedigree and experience.

New Product Development

At SGA we are able to offer a fast, complete design and manufacturing service. Because we control all elements, we can quickly customize every aspect of our design. On numerous occasions we have developed new processes to meet customer's exacting specifications.

We are always looking for new materials, new processes and new ways of bringing technological edge to our designs. We have worked with universities and on funded programs, working alongside leading research institutions to bring the very best performance and lifetime to our designs.

At SGA, whatever the challenge, we have the ability to meet it.



Specialists in Hermetics and Plating

Call +44 (0)1799 527264 today

or visit us at www.sgatech.co.uk



Q05599

EMS52700