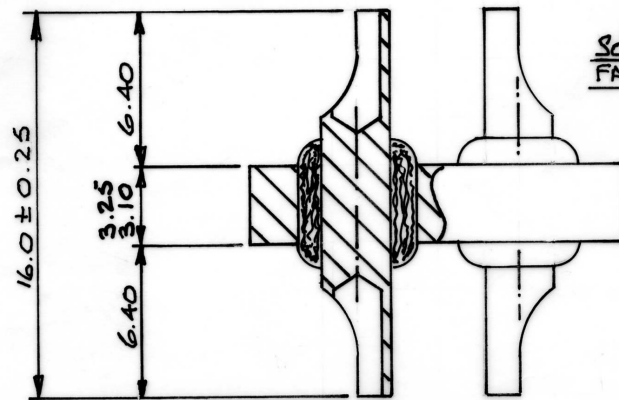
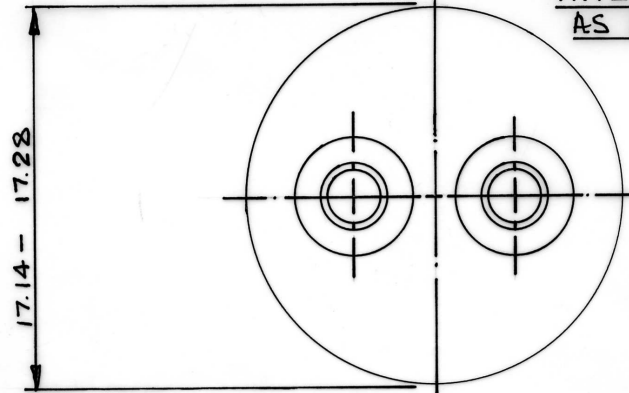


NO	CHANGES	INITIALS	DATE





2 PINS.  $\phi$  3.0 ON  
 $7.11 \pm 0.12$  CENTRES  
AS SHOWN



OPEN END OF  
SOLDER BUCKETS TO  
FACE AS SHOWN.

JIG ON THIS END.

ALL DIMENSIONS ARE IN MILLIMETRES UNLESS STATED.

MATERIAL	FINISH 3 MICRONS COPPER 3-6 MICRONS 60/40 ELECTRO TIN LEAD.	TOLERANCE UNLESS OTHERWISE STATED $\pm 0.13$ .					
 <b>SUFFOLK GLASS ASSOCIATES CO. LTD</b> <small>SHIRE HILL SAFFRON WALDEN ESSEX CB11 3AQ TEL: (0799) 27264</small>	DRAWING No	ISSUE					
	5.213	2					
	<table border="1"> <tr> <td>DRAWN</td> <td></td> </tr> <tr> <td>DATE</td> <td>7.3.88</td> </tr> <tr> <td>SCALE</td> <td>4:1</td> </tr> </table>	DRAWN		DATE	7.3.88	SCALE	4:1
DRAWN							
DATE	7.3.88						
SCALE	4:1						