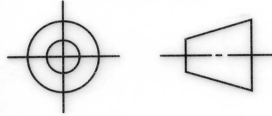




# SUFFOLK GLASS ASSOCIATES CO. LTD.

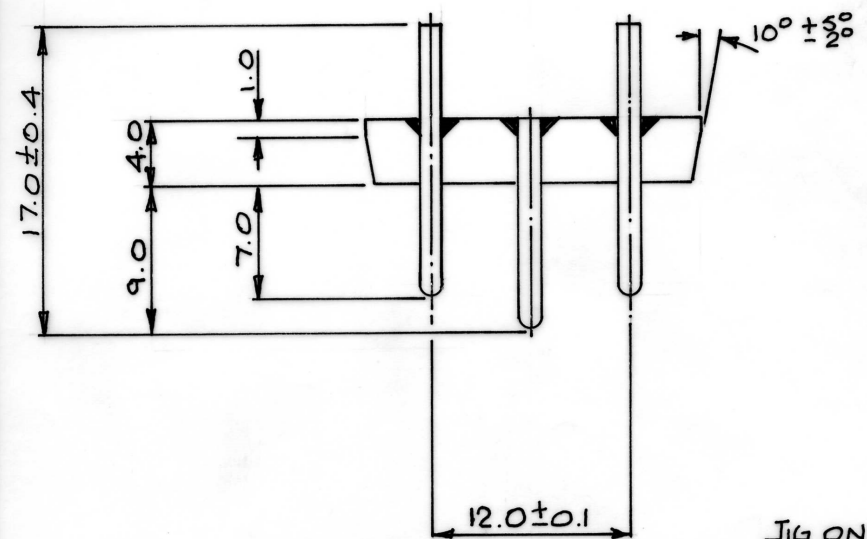
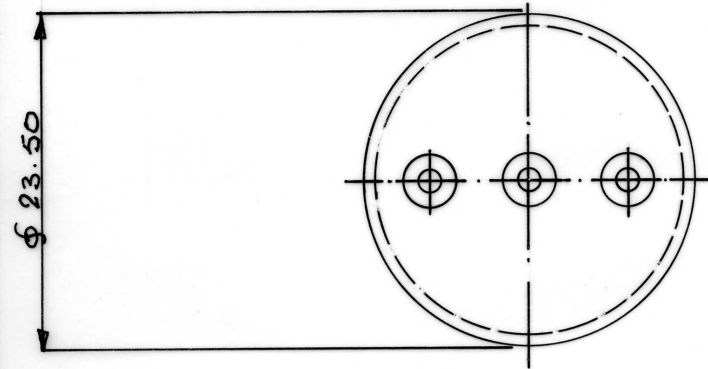
SHIRE HILL, SAFFRON WALDEN, ESSEX CB11 3AQ Tel: 0799 527264 • Fax: 0799 528066

## PROJECTION



ISS.	CHANGE	DATE

3 PINS.  $\phi$  1.2  $\pm$  0.05  
IN POSITIONS SHOWN.



JIG ON THIS END.

ALL DIMENSIONS  
IN MILLIMETRE

MATERIAL	FINISH	TOLERANCE UNLESS OTHERWISE STATED	DRAWN BY	DATE	DRAWING NO.	ISSUE
	VACU BLAST AT 60 PSI	$\pm$ 0.2	A. FORLEY	16.6.92	S.582	1