



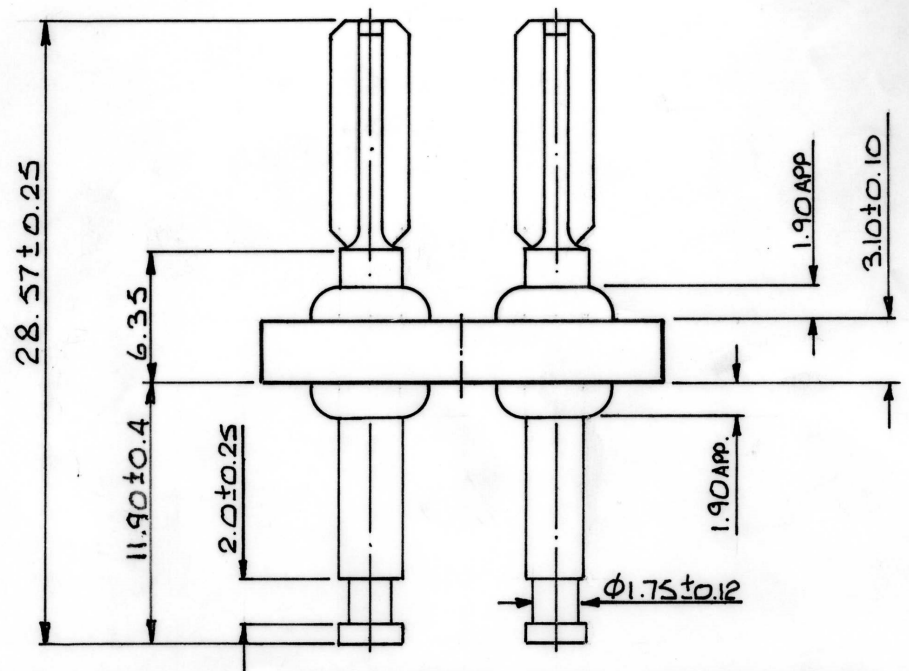
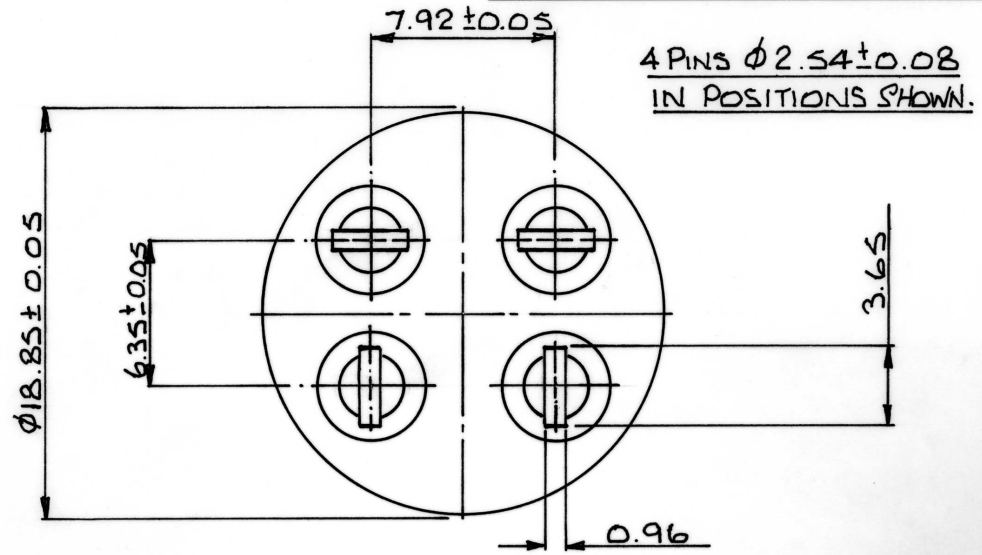
# SUFFOLK GLASS ASSOCIATES CO. LTD.

SHIRE HILL, SAFFRON WALDEN, ESSEX CB11 3AQ Tel: 0799 527264 • Fax: 0799 528066

THIRD ANGLE PROJECTION

ALL DIMENSIONS IN MILLIMETRES

CHANGE	DATE
2 PLATING WAS 3-5 COPPER 6-10 MICRONS TIN LEAD	PCN 7365 10/6/99



FINAL FINISH	TOLERANCE UNLESS OTHERWISE STATED	DRAWN BY	DATE	DRAWING NO.	ISSUE
3 MICRONS COPPER. 5 MICRONS 60/40 ELECTRO TIN LEAD. MAX.	$\pm 0.12$	A.T.FORDREY.	21.4.97	S.1206	2