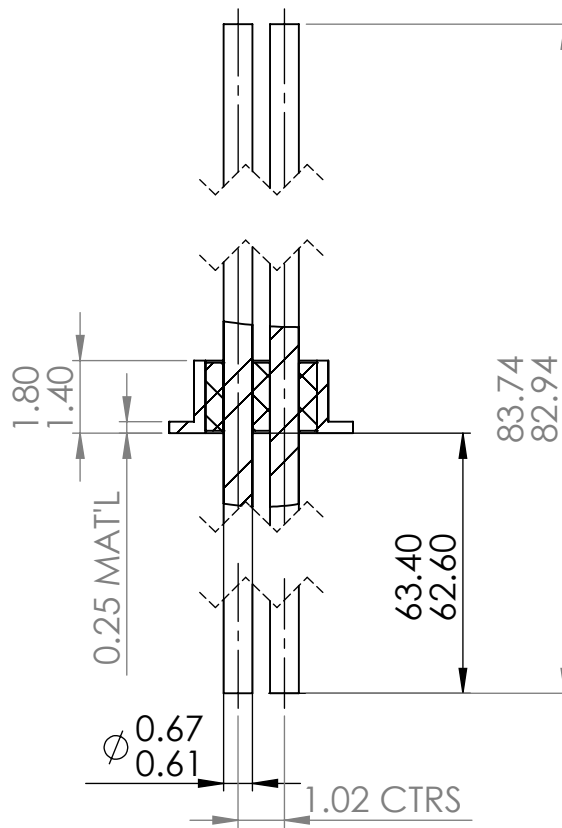
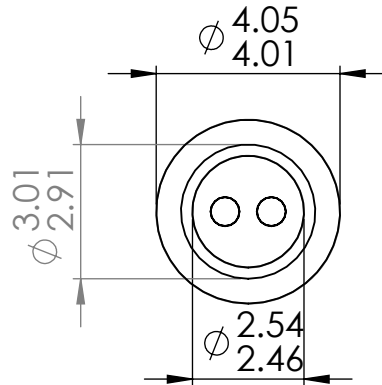

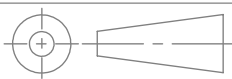


ITEM NO.	Dwg No	DESCRIPTION	MATERIAL	QTY.
1	SF3018A_2	FERRULE	KOVAR	1
2	SP3018A_2	PIN	KOVAR	2
3	SE3018A_3	PREFORM	MATCHED EXPANSION GLASS	1



NOTES
T) FINISH: CLEAN AND SMOOTH

PROPRIETARY AND CONFIDENTIAL		UNLESS OTHERWISE SPECIFIED		DO NOT SCALE DRAWING	
<p>THE INFORMATION CONTAINED IN THIS DRAWING IS THE SOLE PROPERTY OF S.G.A TECHNOLOGIES LTD.</p> <p>ANY REPRODUCTION IN PART OR AS A WHOLE WITHOUT WRITTEN PERMISSION OF S.G.A TECHNOLOGIES LTD IS PROHIBITED.</p> <p>ANY COPIES OF THIS DRAWING MADE BY ANY METHOD MUST INCLUDE A COPY OF THIS LEGEND AND THE S.G.A LOGO.</p>		<p>DIMENSIONS ARE IN MILLIMETERS TOLERANCES: LINEAR: ± 0.1 ANGULAR: $\pm 0.5^\circ$</p> <p>SURFACE FINISH: 1.6/</p> <p>REMOVE ALL BURRS AND SHARP EDGES INTERNAL/EXTERNAL CHAMFER $0.1 \times 45^\circ$ MAX OR RADIUS R0.1 MAX</p>		 enquiries@sgatech.co.uk	
 THIRD ANGLE PROJECTION		DRAWING STANDARD		SIZE	DWG NO.
THIS DRAWING COMPLIES TO BS EN ISO 1101:2005		FINISH: SEE NOTES		A4	S3018A
DRAWN Elizabeth		DATE 02/03/2011		Location: E:\seals\S3000-S3999\S3018A_3	
APPV'D XXXX		XX/XX/XXXX		WEIGHT: 0.50 g	SCALE: 6:1
				SHEET 1 OF 1	