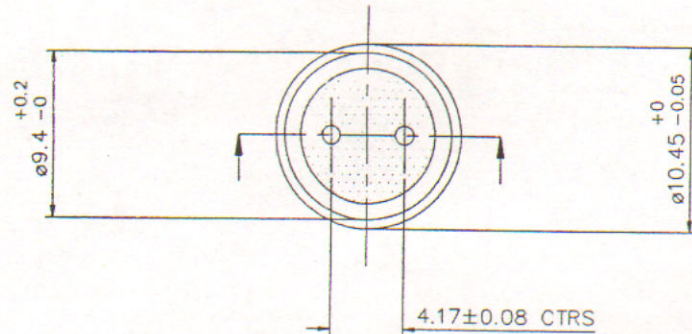


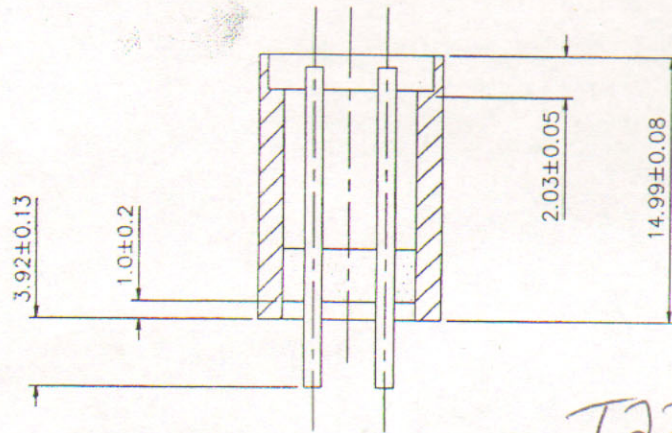
MICROMETRICS LTD TEL: 01440 707010
 26 HOLLANDS ROAD, HAVERHILL, SUFFOLK. CB9 8PR. FAX: 01440 762116

PART NO. MD6368 ISSUE: 5

ITEM NO.	PART NO.	QTY. PER	MATERIAL / SPEC.	ITEM NO.	PART NO.	QTY. PER	MATERIAL / SPEC.
1	MF6368	1	ST.ST 304				
2	MP6368	2	48% NiFe				
3	M5355	1	M.E.3				



2 PINS $\phi 1.02 \pm 0.03$



T2289

GENERAL NOTES:
 1. THIRD ANGLE PROJECTION. FOR EXPLANATION OF DIMENSIONS ETC. REFER TO B.S.308.
 2. ALL DIMENSIONS IN METRIC. (IMPERIAL DIMENSIONS SHOWN IN BRACKETS WHERE APPROPRIATE.)
 3. SURFACE FINISH 1.6 MICRON UNLESS STATED OTHERWISE.
 4. PARTS TO BE BURR FREE. MAXIMUM DEBURRING CHAMFER 0.25mm x 45°.
 5. JIGGING ATTITUDE: AS DRAWN / REVERSED. (DELETE AS APPROPRIATE)

ISSUE	DATE	AMENDMENT NO.	ISSUE	DATE	AMENDMENT NO.	FILE NAME:	MD6368	PART NO.
1	26/11/70	-	4	15/03/84	D/O M2	DRAWN:	M.A.C	MD6368/5
2	22/11/75	D/O 1284	5	11/06/85	D/O M27	CHECKED:	<input checked="" type="checkbox"/>	
3	-	-				SCALE:	DO NOT SCALE	

MANUFACTURING OPERATIONS.
 ALL OPERATIONS TO HAVE FIRST OFF INSPECTION.

PART NO. MD6368 ISSUE: 5

- 1 WITHDRAW AND CHECK PIECE PARTS
- 2 DEGAS PINS. MF2/3.
- 3 DEGREASE FERRULE. MF2/1.
- 4 RETURN TO STORES.
- 5 ISSUE TO SHOP.
- 6 CHECK PIECE PARTS.
- 7 LOAD JIGS.
- 8 KILN LOAD.
- 9 END OF KILN. QA-IP/6.
- 10 FINAL VIEW. DIMENSIONAL. QA-IP/8.
- 11 STAINLESS STEEL CLEAN FERRULE. MF2/20.
- 12 LEAK TEST TO BETTER THAN 10⁻⁹ TORR. QA-IP/18.
- 13 FINAL INSPECTION. QA-IP/13.

SPECIAL INSTRUCTIONS.
 IF IN DOUBT PLEASE ASK