

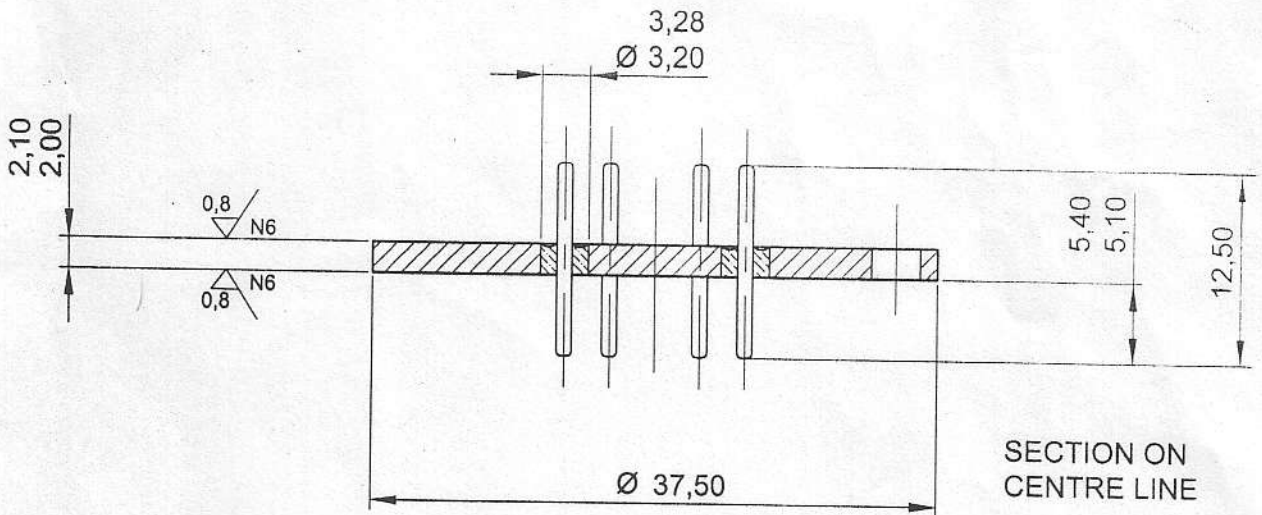
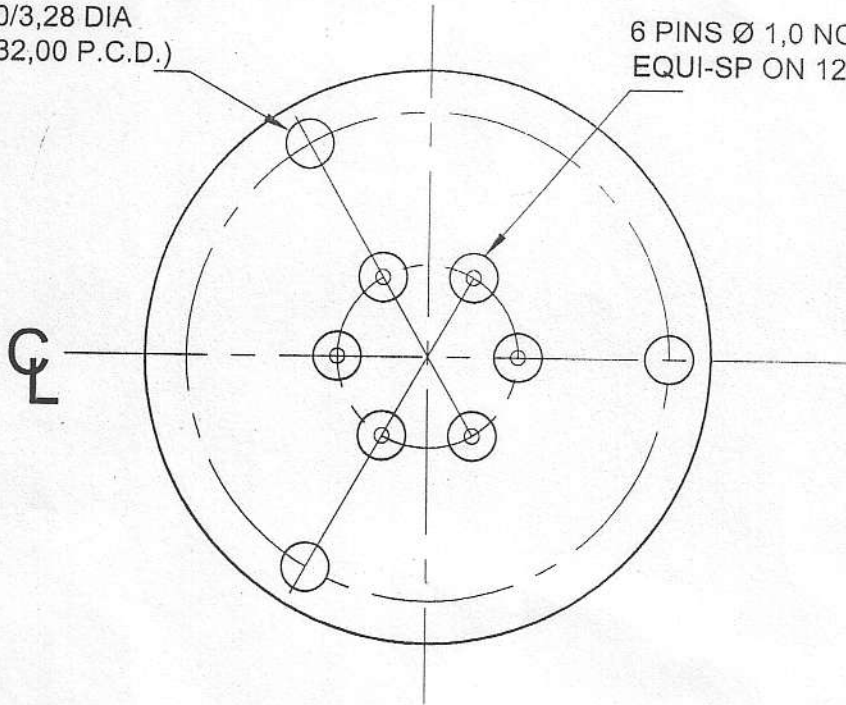
REDPOST  
DRG 120+008 REV A

JIG AT 5,25

1 HEADER 1903601  
6 PINS 1901192  
6 PREFORMS 1900174/W (33/A)

(3 HOLES 3,20/3,28 DIA  
EQUI-SP ON 32,00 P.C.D.)

6 PINS Ø 1,0 NOM  
EQUI-SP ON 12,00 P.C.D.



SECTION ON  
CENTRE LINE

REFERENCE COPY

THIRD ANGLE PROJECTION		09-07-03	1	ORIGINAL	B.V.H.
		DATE	ISSUE	REVISION	DR'N APP'D
MATERIAL HEADER - STAINLESS STEEL 304 PINS - 48/51% Ni BAL Fe PREFORMS - GLASS	TOLERANCES UNLESS OTHERWISE STATED DIMENSIONS ± 0,1 ANGULAR CONCENTRICITY OF ALL DIAMETERS T.I.R. ALL SHARP EDGES TO BE BROKEN SMOOTHLY- .13 MAX ALL DIMENSIONS IN MM			DRAWN B.V.H. DATE 09-07-03 CHK'D APP'D	
FINISH HEADER - CLEAN PINS - 60/40 TIN/LEAD PLATE	WESLEY COE (CAMBRIDGE) LTD			ORIGINAL SCALE 2:1	
TITLE HEADER ASSEMBLY 6 PIN	PART No W1818	1903600		SHEET 1 OF 2	
				ISSUE 1	

IF IN DOUBT - ASK

DO NOT SCALE THIS PRINT