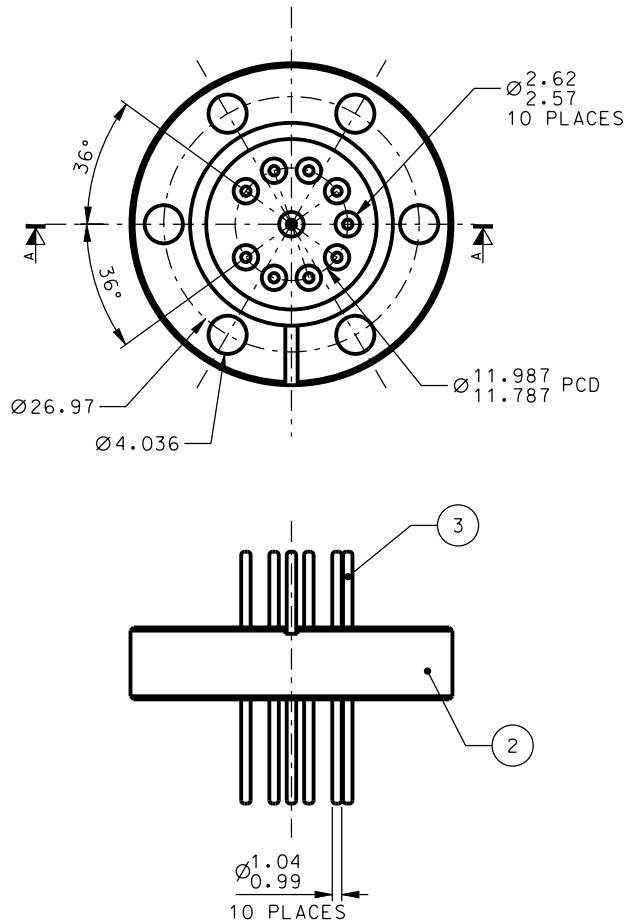


DRG.
No.

W1841X

IF IN DOUBT ASK

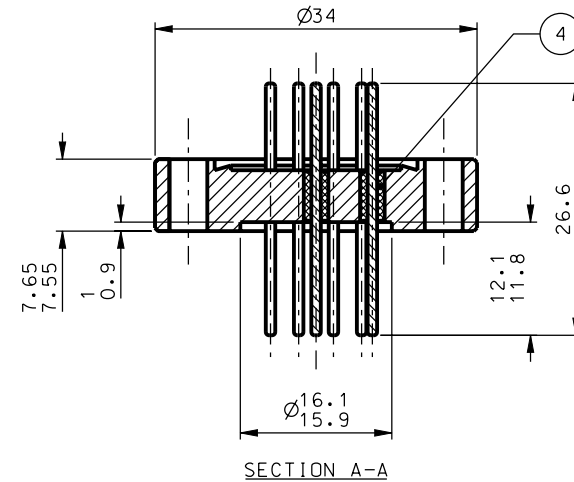
A3
420x297



THIS DRAWING IS THE COPYRIGHT AND PROPERTY OF SGA TECHNOLOGIES LTD.

IT MUST NOT BE COPIED IN WHOLE OR IN PART. USED FOR MANUFACTURE OR OTHERWISE DISCLOSED WITHOUT PRIOR WRITTEN CONSENT OF THE COMPANY.

ANY COPIES OF THIS DRAWING/DOCUMENT MADE BY ANY METHOD MUST INCLUDE A COPY OF THIS LEGEND AND THE SGA LOGO.
© S.G.A 2005



FINISH

PLATE PINS ONLY 0.5-1.0 μM HARD Au OVER 3-5 μM Ni.
BODY CLEAN.

SEAL (3) INTO (2) USING (4)

4	SE1841X	GLASS	COMPRESSION TYPE	10
3	SP1841	PIN	48-51% Ni/Fe	10
2	SF1841X	BASE	STAINLESS STEEL	1
1		GTMS		A
PART #	DRG N°	DESCRIPTION	MATERIAL	QTY

APA: 680

ISSUE	1	DCN	
		DRAWN	
		DATE	

THE FOLLOWING TOLERANCES
APPLY TO ALL DIMENSIONS
EXCEPT WHERE STATED

±0.1

© 2005 S.G.A. 01799 527264

DRAWN	DATE
COLIN BARK	21/11/05
APPROVED	DATE

ALL DIMENSIONS IN
MILLIMETRES UNLESS
OTHERWISE STATED

DO NOT SCALE

SGA  **technologies**
enquiries@sgatech.co.uk

THIRD ANGLE
PROJECTION

DRG. No. **W1841X**