

1 HOUSING - 1902495 - SF1985  
 2 PINS - 1900976 - SP1847  
 1 PREFORM - M7141/3 - SE1985

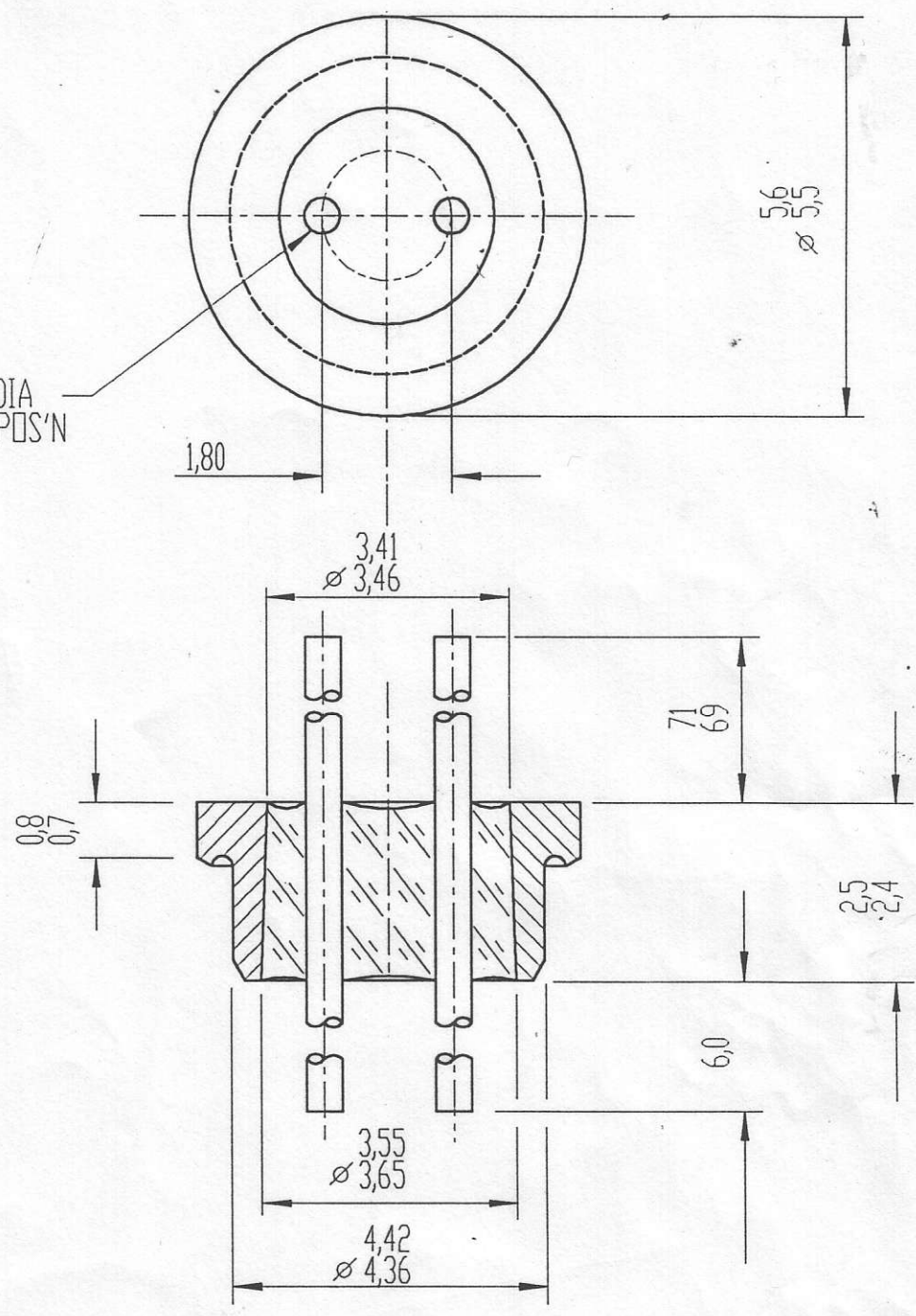
SPOT WELD PLATING WIRE/CROP  
 THE 70mm SIDE

IF IN DOUBT - ASK

DO NOT SCALE THIS PRINT

2 PINS 0,50 DIA  
 GLASSED IN POS'N  
 SHOWN

DIRECTION OF  
 PRESSURE



THIRD ANGLE PROJECTION

DATE	ISSUE	REVISION	DR'N	APP'D
		ORIGINAL		

MATERIAL HOUSING - MILD STEEL 230 M07  
 PINS - 48/51% NICKEL IRON (NON LEADED)  
 PREFORM - GLASS

TOLERANCES UNLESS OTHERWISE STATED  
 DIMENSIONS  $\pm 0,15$  ANGULAR  $\pm 1^{\circ}$   
 CONCENTRICITY OF ALL DIAMETERS 0,05 T.I.R  
 ALL SHARP EDGES TO BE BROKEN SMOOTHLY  
 MACHINE FINISH  $\sqrt{N7}$  ORIGINAL SCALE 10:1  
 ALL DIMENSIONS IN MM

FINISH HOUSING - NICKEL FLASH  
 PINS - TIN PLATE

DRAWN P.V.T.  
 DATE 26-10-93  
 CHK'D APP'D

WESLEY COE (CAMBRIDGE) LTD.

TITLE SEAL ASSY 2 PIN HIGH PRESSURE	PART N <sup>o</sup> 1902526	SHEET 1 OF 2	ISSUE 1
--	--------------------------------	--------------	------------