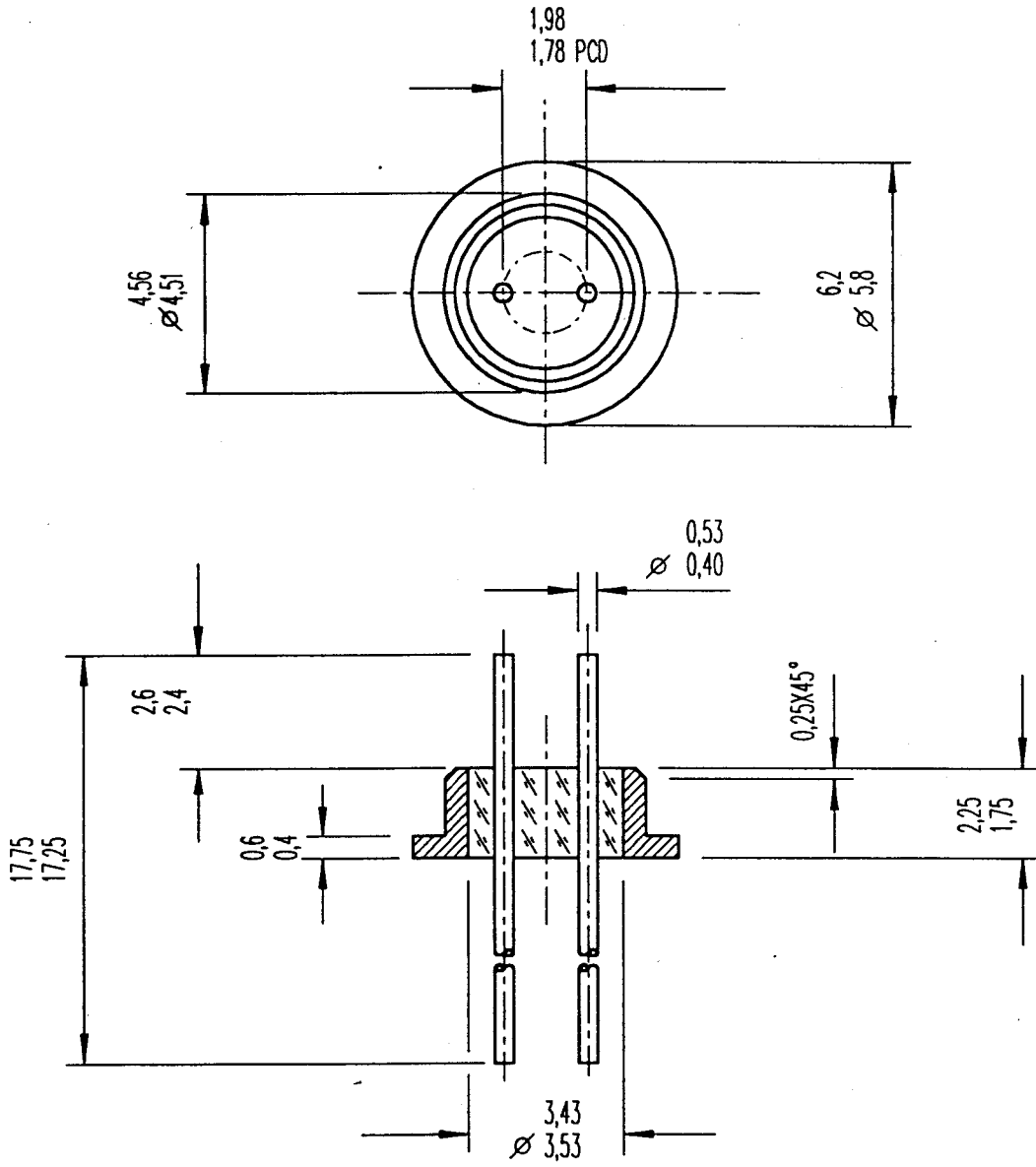


JIGGING ATTITUDE REVERSED

IF IN DOUBT - ASK

DO NOT SCALE THIS PRINT



THIRD ANGLE PROJECTION		DATE	ISSUE	REVISION	DR'N	APP'D
MATERIAL HOUSING - MILD STEEL 220 M07 PINS - 48/51% NICKEL IRON PREFORM - GLASS		TOLERANCES UNLESS OTHERWISE STATED DIMENSIONS ± 0,1 ANGULAR ± CONCENTRICITY OF ALL DIAMETERS T.I.R ALL SHARP EDGES TO BE BROKEN SMOOTHLY MACHINE FINISH 15/17 ALL DIMENSIONS IN MM			DRAWN P.V.T. DATE 24-02-95 CHK'D APP'D	
FINISH ELECTROLESS NICKEL 5µm THICK		ORIGINAL SCALE 6:1			WESLEY COE (CAMBRIDGE) LTD.	
TITLE SEAL ASSY 2 PIN		PART N° 1902626		SHEET OF		ISSUE 1

W1987